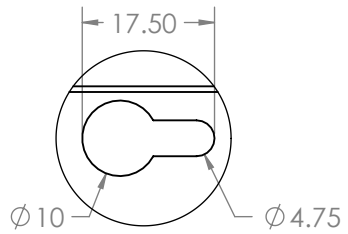


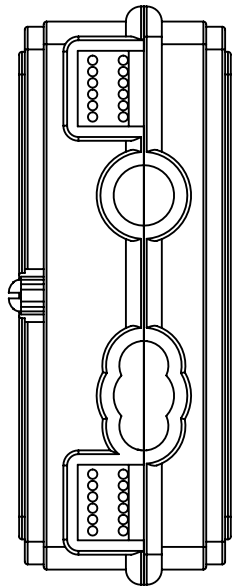
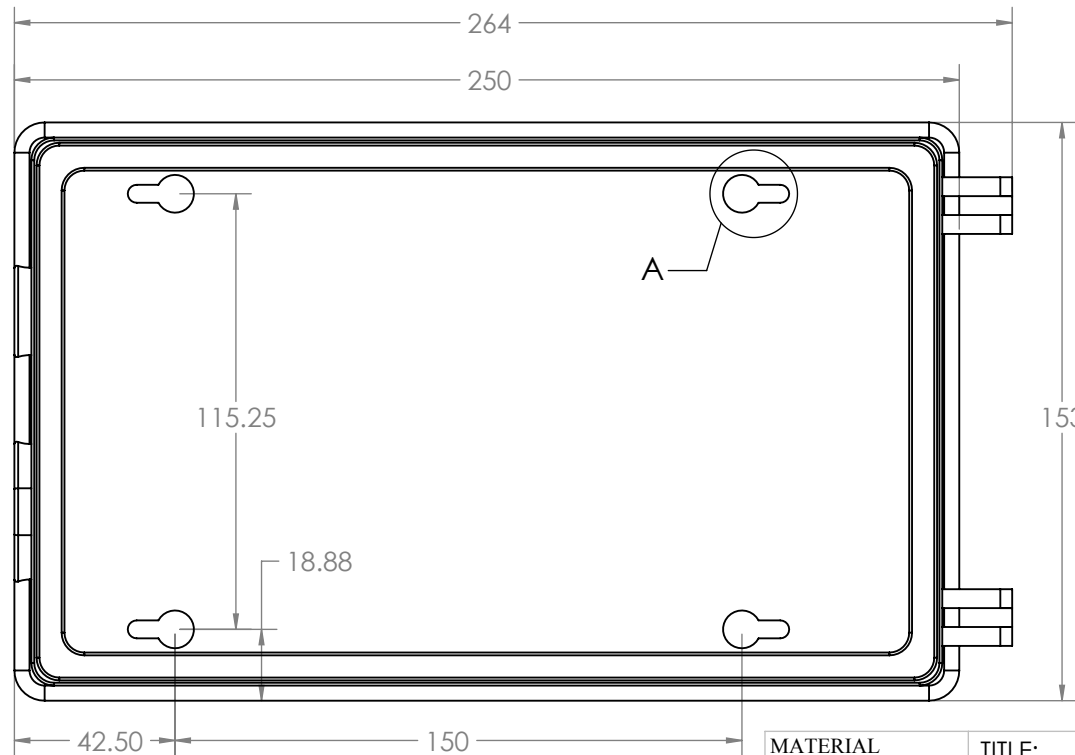
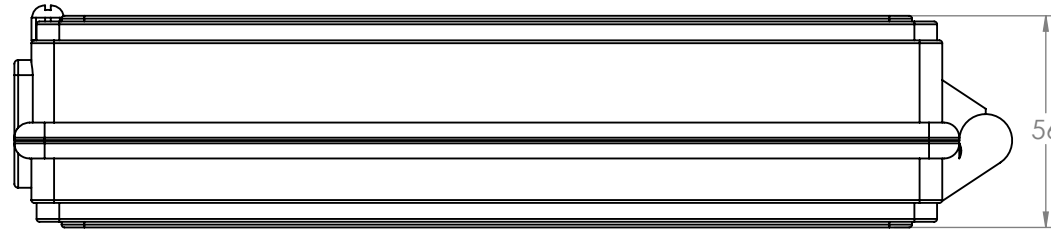
2

1

REV	DESCRIPTION	DATE	REL
0	INITIAL RELEASE	09/20/16	CW



DETAIL A
SCALE 1 : 1



NOTES:

- DIMENSIONS FOR REFERANCE

MATERIAL
Plastic
FINISH
NA

Fibertronics Inc.
300 North Drive, suite 106
Melbourne, FL 32934
321-473-8933
www.fibertronics.com

TITLE:

Fiber Optic Termination Box

SIZE
A

DWG. NO.
FOTB-001 ASSY^0R

SCALE: 1:2

DATE: 9/19/2016

SHEET 1 OF 1

DO NOT SCALE DRAWING

2

1 FOTB-001 ASSY^0R